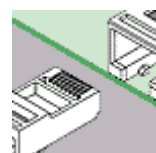


- English
- Español
- Français
- Italiano
- Deutsch
- Polski
- Português
- По Русски
- 中文显示
- 日本語
- 한국어

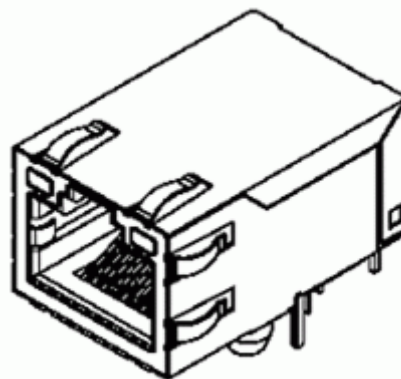


## Datasheet Modular Plugs and Jacks [Overview](#)

[ [Home](#) > [Products](#) > [Modular Plugs and Jacks](#) > Datasheet ]

# 48025-0002

**Modular Jack, Right Angle, HyperJack™, 10/100, with Integrated Magnetic and LED, 8/8, Tail Length 2.80mm (.110")**



- View all parts in series [48025](#)
- [E-mail this page](#)
- [Samples](#)
- [Distributor Stock](#)

<a href="#">Status</a>	Active
<a href="#">Component</a>	PCB Jack
<a href="#">Ports</a>	1
<a href="#">Positions / Loaded Contacts</a>	8/8
<a href="#">Orientation</a>	Right Angle (Side Entry)
<a href="#">Inverted / Top Latch</a>	Yes
<a href="#">Product Name</a>	RJ45, HyperJack™
<a href="#">Performance Category</a>	5
<a href="#">Shielded</a>	Yes
<a href="#">Lightpipes/LEDs</a>	Lightpipes
<a href="#">Keying to Mating Part</a>	Keying Option RJ45

### MOUNTING

<a href="#">Profile</a>	Low
Grounding to Panel	Panel Ground Tab
Grounding to PCB	Yes
<a href="#">PCB Mounting</a>	Through Hole
<a href="#">Surface Mount Compatible (SMC)</a>	Yes
<a href="#">PCB Retention</a>	Solder Pin
<a href="#">PCB Locator</a>	Plastic Pegs
<a href="#">PCB Thickness</a>	1.6mm (.062")

### PHYSICAL

<a href="#">Contact</a>	Phosphor Bronze (CuSn)
<a href="#">Plating Contact</a>	1.3µm (50µ") Gold (Au)
<a href="#">Plating Tail</a>	2.5µm (100µ") Tin (Sn)
<a href="#">Under Plating</a>	Nickel (Ni)
<a href="#">Packaging</a>	Tray
<a href="#">Housing Material</a>	PA Polyamide (Nylon), High Temperature, Glass-filled
<a href="#">Color</a>	Black

ENVIRONMENT	
<a href="#">RoHS Status</a>	ELV and RoHS Compliant
<a href="#">Lead-free Process Capability</a>	SMC & Wave Capable (TH only)
<a href="#">Process Temperature max. (C)</a>	260

- RJ45 with integrated magnetic for space saving on the motherboard
- Meets 1.60mm (.063") PCB requirements
- Plug latch on top

<a href="#">Flammability</a>	<b>UL 94V-0</b>
<a href="#">Comment</a>	<b>Tail Length: 2.80mm (.110"), With LED</b>
<a href="#">Durability [mating cycles] min.</a>	<b>750 cycles</b>
<b>E L E C T R I C A L</b>	
<a href="#">Current-max [amps]</a>	<b>1.5A</b>
<a href="#">Voltage-max [volts]</a>	<b>150V</b>
<a href="#">Withstanding Voltage</a>	<b>1500V</b>
<a href="#">Contact Resistance [ohms]</a>	<b>20 milliohms max.</b>
<a href="#">Insulation Resistance [ohms]</a>	<b>500 Megohms min.</b>
<b>R E F E R E N C E</b>	
<a href="#">Mates With</a>	<b>FCC 68 Plugs</b>
<a href="#">Temperature Range</a>	<b>-40°C to +70°C</b>
<a href="#">Product Specification</a>	<b>PS-48025-004</b>
<a href="#">Circuits / Positions</a>	<b>8</b>
Loaded Contacts	<b>8</b>
<a href="#">Insertion Loss-max.</a>	<b>1.20 dB</b>
<a href="#">Return Loss</a>	<b>16 dB</b>
Common Mode Rejection (CMR)	<b>50 dB</b>
<a href="#">Pitch / Center Spacing</a>	<b>1.27mm (.050")</b>
<a href="#">Molex Series</a>	<b>48025</b>

**For all product dimensions, please refer to Drawing (PDF).**

© Copyright 2005 Molex Incorporated  
1.33 secs